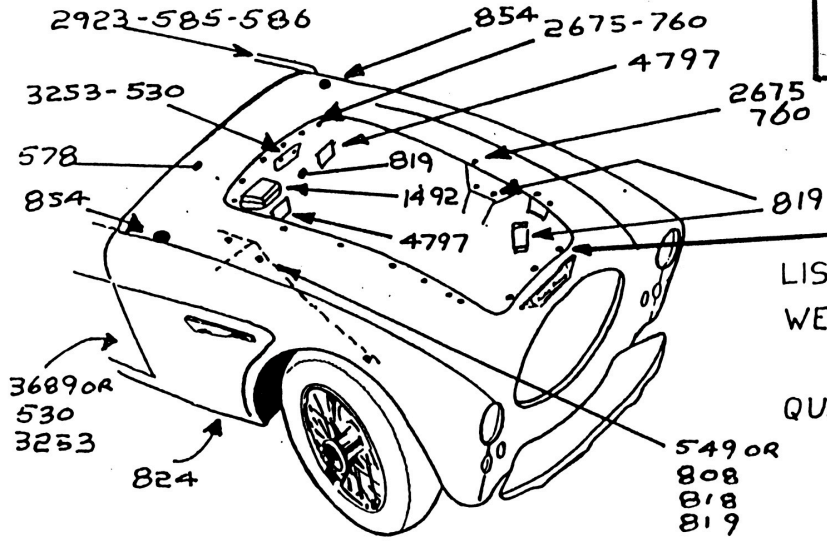


ORDER INDIVIDUALLY OR A  
200+ PIECE ASSORTMENT

SET # BCS 293

Stainless Steel



778 OVER SIZE

LISTED ARE THE COMMON SIZES  
WE USE - OTHERS AVAILABLE.

QUANTITIES ARE ONLY APPROX.

POZIDRIV® ARE ORIGINAL

PHIL PAN



PHIL OVAL



PHIL FLAT



- \*819 10:32 x 3/4" HARNESS-FUSE BOX 28
- \*1492 10:32 x 1 1/4" REGULATOR 2
- \*808 10:24 x 1/2" HARNESS A/R
- \*818 10:32 x 1/2" HARNESS A/R
- \*824 1/4" x 20 x 3/4" LOWER FRT. FENDER B
- 824 1/4" x 20 x 3/4" BUMP BOX 4

- \*841 8:32 x 1" REAR CHANNEL 6
- \*854 1/4" x 20 x 1" W/S POST 2
- \*2923 10:32 x 1" COCKPIT TRIM 16
- DOOR STRICKER 8
- \*2674 4:40 x 1/2" BUCKLE, TURN 8
- 1304 4:40 NUT

- \*760 8:32 x 1" REAR SHROUD 6
- \*2675 10:32 x 1/2" W/S-UNDER SEAL 8
- BEHIND REAR DOOR TRIM 12
- SHROUD CHANNEL 13
- \*817 10:32 x 1 1/4" \*761 8:32 x 1 1/4"
- \*767 10:24 x 3/4" \*755 6:32 x 1/2"
- 778 1/4" x 20 x 1"
- 755 6:32 x 1/2" W/S TOP 100/4

PHIL OVAL



PHIL TRUSS



PHIL PAN



- \*586 \*8 x 1" COCKPIT TRIM 16
- \*585 \*8 x 3/4" " OR " 16
- \*578 \*6 x 3/4" DASH PANEL PAD 10

- \*3253 \*4 x 1/2" I.D PLATE 2
- DOOR TRIM ALUM. 50
- \*3689 \*6 x 3/4" " OR " 50
- " CARPET + 4797 WASHER

- \*530 \*6 x 1/2" STRG. PANEL PLATE 26
- \*549 \*10 x 3/4" HARNESS 20

BRASS WOOD SCREW FREARSON  
"R & P" CHROME PLATED OVAL



PHIL FLAT



SLOT OVAL



- \*2714 \*4 x 1/2" BJB DASH SCREW 16

- \*616 \*6 x 3/8"

- \*344 \*6 x 3/8"

PHIL TRUSS



FENDER WASHER  
18-8 STAINLESS STEEL



WASHER



- \*2985 \*10:32 x 1/2" REAR HARD TOP 6

- \*4797 \*10 x 3/4" O.D STRG. PANEL PLATE 16

- 2874 7/16" x 3/4" O.D CYL. HEAD
- 1412 1/16" x 3/4" O.D